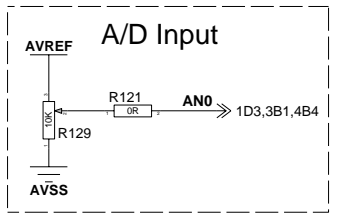
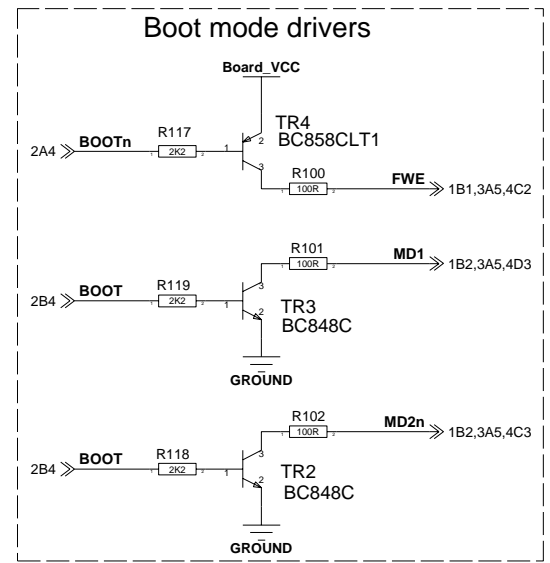
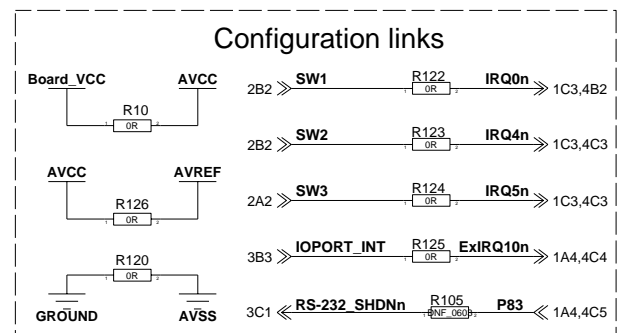
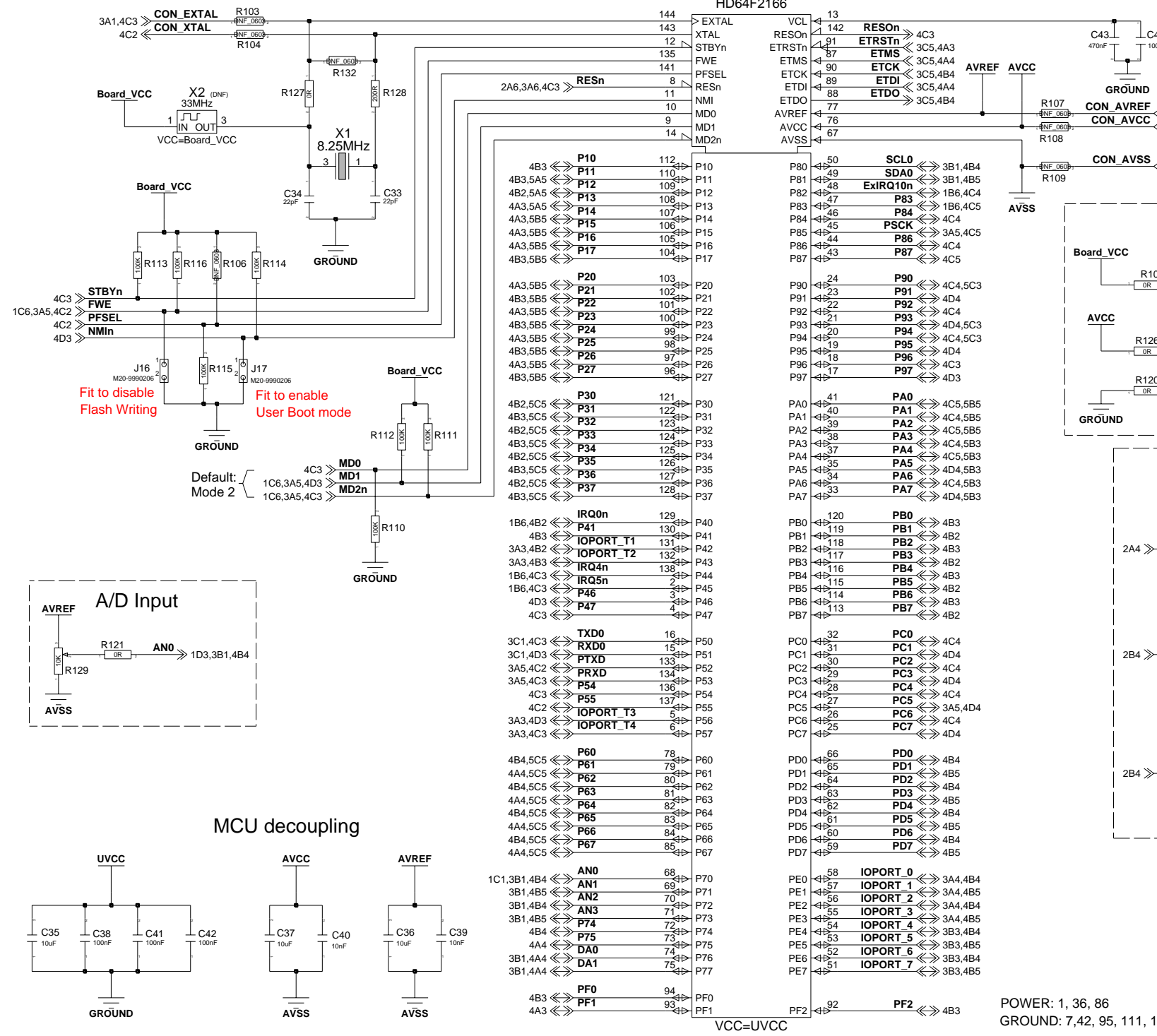
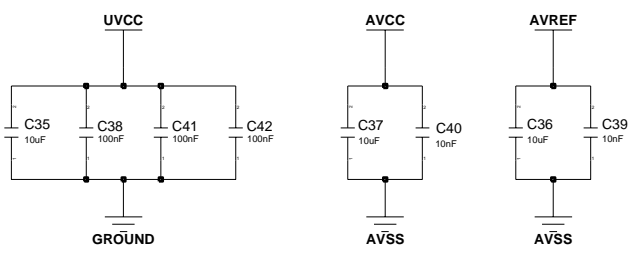


U1
HD64F2166



MCU decoupling



4B3,5B5	P10	112	P10	50	SCL0	3B1,4B4
4B3,5A5	P11	110	P11	49	SDA0	3B1,4B5
4B2,5A5	P12	109	P12	48	ExIRQ10n	1B6,4C4
4A3,5A5	P13	108	P13	47	P83	1B6,4C5
4A3,5B5	P14	107	P14	46	P84	4C4
4A3,5B5	P15	106	P15	45	PSCK	3A5,4C5
4A3,5B5	P16	105	P16	44	P86	4C4
4A3,5B5	P17	104	P17	43	P87	4C5
4A3,5B5	P20	103	P20	24	P90	4C4,5C3
4B3,5B5	P21	102	P21	23	P91	4D4
4A3,5B5	P22	101	P22	22	P92	4C4
4B3,5B5	P23	100	P23	21	P93	4D4,5C3
4A3,5B5	P24	99	P24	20	P94	4C4,5C3
4B3,5B5	P25	98	P25	19	P95	4D4
4A3,5B5	P26	97	P26	18	P96	4C3
4B3,5B5	P27	96	P27	17	P97	4D3
4B2,5C5	P30	121	P30	41	PA0	4C5,5B5
4B3,5C5	P31	122	P31	40	PA1	4C4,5B5
4B2,5C5	P32	123	P32	39	PA2	4C5,5B5
4B3,5C5	P33	124	P33	38	PA3	4C4,5B3
4B2,5C5	P34	125	P34	37	PA4	4C5,5B3
4B3,5C5	P35	126	P35	36	PA5	4D4,5B3
4B2,5C5	P36	127	P36	35	PA6	4C4,5B3
4B3,5C5	P37	128	P37	34	PA7	4D4,5B3
1B6,4B2	IRQ0n	129	P40	120	PB0	4B3
4B3	P41	130	P41	119	PB1	4B2
3A3,4B2	IOPORT_T1	131	P42	118	PB2	4B3
3A3,4B3	IOPORT_T2	132	P43	117	PB3	4B2
1B6,4C3	IRQ4n	138	P44	116	PB4	4B3
1B6,4C3	IRQ5n	139	P45	115	PB5	4B2
4D3	P46	140	P46	114	PB6	4B3
4C3	P47	141	P47	113	PB7	4B2
3C1,4C3	TXD0	16	P50	32	PC0	4C4
3C1,4D3	RXD0	15	P51	31	PC1	4D4
3A5,4C2	PTXD	133	P52	30	PC2	4C4
3A5,4C3	PRXD	134	P53	29	PC3	4D4
4C3	P54	136	P54	28	PC4	4C4
4C2	P55	137	P55	27	PC5	3A5,4D4
3A3,4D3	IOPORT_T3	5	P56	26	PC6	4C4
3A3,4C3	IOPORT_T4	6	P57	25	PC7	4D4
4B4,5C5	P60	78	P60	66	PD0	4B4
4A4,5C5	P61	79	P61	65	PD1	4B5
4B4,5C5	P62	80	P62	64	PD2	4B4
4A4,5C5	P63	81	P63	63	PD3	4B5
4B4,5C5	P64	82	P64	62	PD4	4B4
4A4,5C5	P65	83	P65	61	PD5	4B5
4B4,5C5	P66	84	P66	60	PD6	4B4
4A4,5C5	P67	85	P67	59	PD7	4B5
1C1,3B1,4B4	AN0	68	P70	58	IOPORT_0	3A4,4B4
3B1,4B5	AN1	69	P71	57	IOPORT_1	3A4,4B5
3B1,4B4	AN2	70	P72	56	IOPORT_2	3A4,4B4
3B1,4B5	AN3	71	P73	55	IOPORT_3	3A4,4B5
4B4	P74	72	P74	54	IOPORT_4	3B3,4B4
4A4	P75	73	P75	53	IOPORT_5	3B3,4B5
3B1,4A4	DA0	74	P76	52	IOPORT_6	3B3,4B4
3B1,4A4	DA1	75	P77	51	IOPORT_7	3B3,4B5
4B3	PF0	94	PF0	92	PF2	4B3
4A3	PF1	93	PF1			

SIZE A4

RENESAS TECHNOLOGY EUROPE LTD
Dukes Meadow, Bourne End, Buckinghamshire
UNITED KINGDOM

SCHEMATIC TITLE
3DK2166

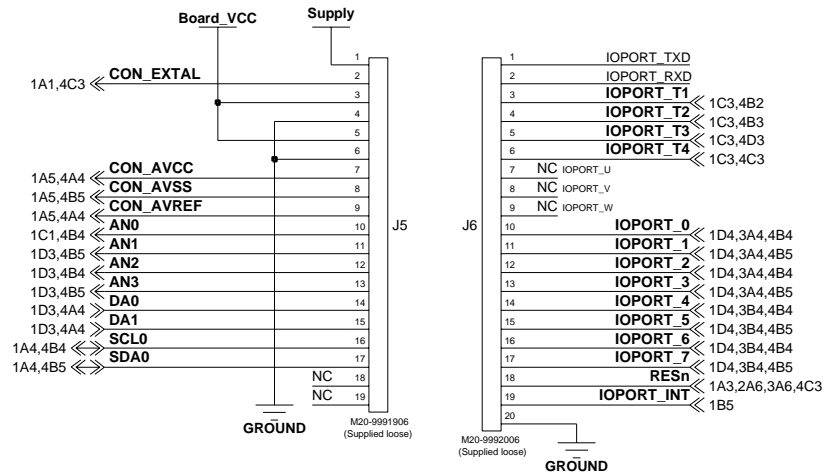
SHEET TITLE
Microcontroller

DRAWN BY DPR	DATE 24-Aug-2004	REV 2	DRAWING NUMBER D005392_04	PAGE 1/5
-----------------	---------------------	----------	------------------------------	-------------

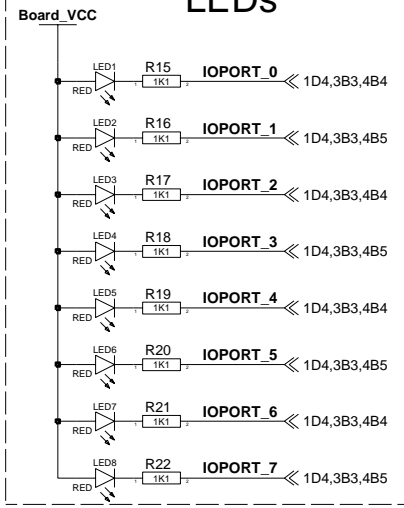
POWER: 1, 36, 86
GROUND: 7,42, 95, 111, 139

VCC=UVCC

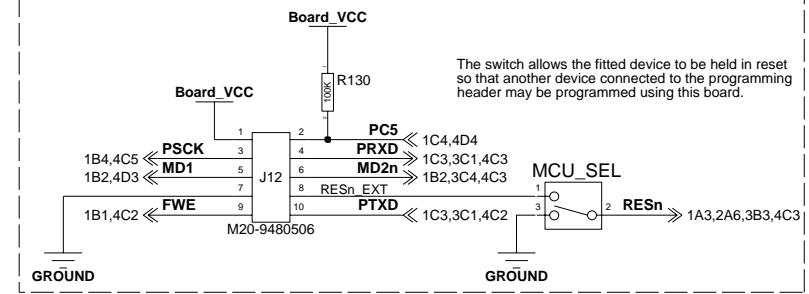
GENERIC HEADERS



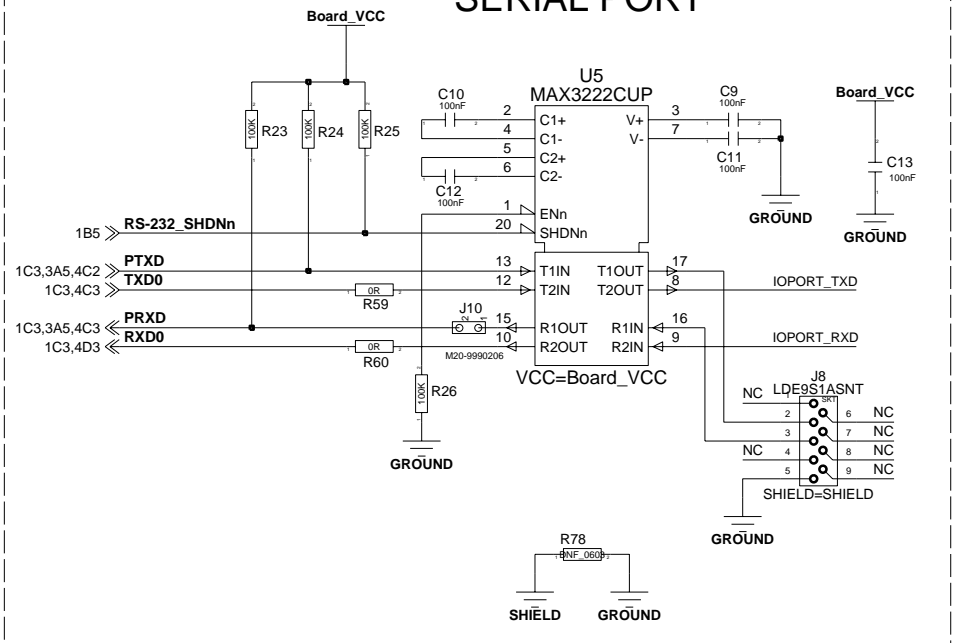
LEDs



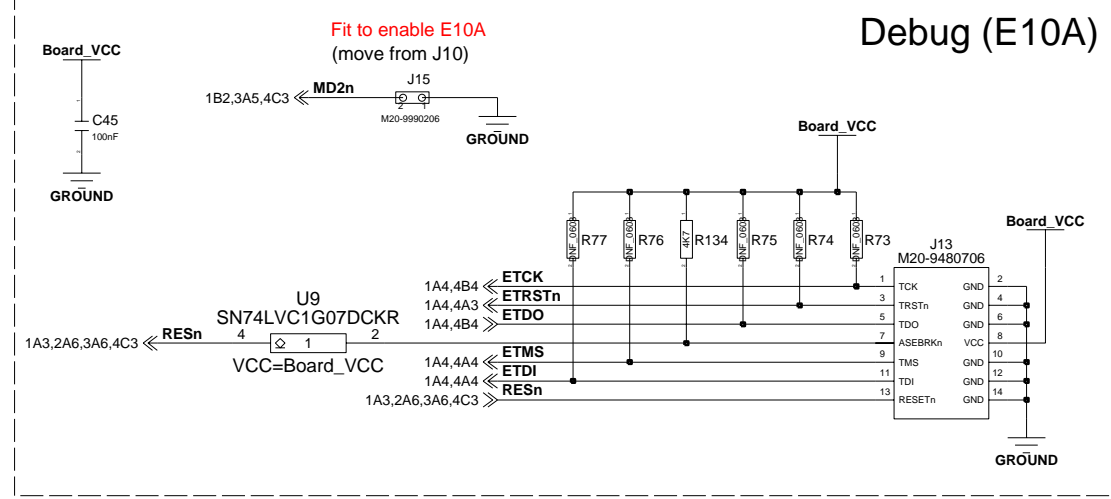
Debug & Flash (FoUSB)



SERIAL PORT

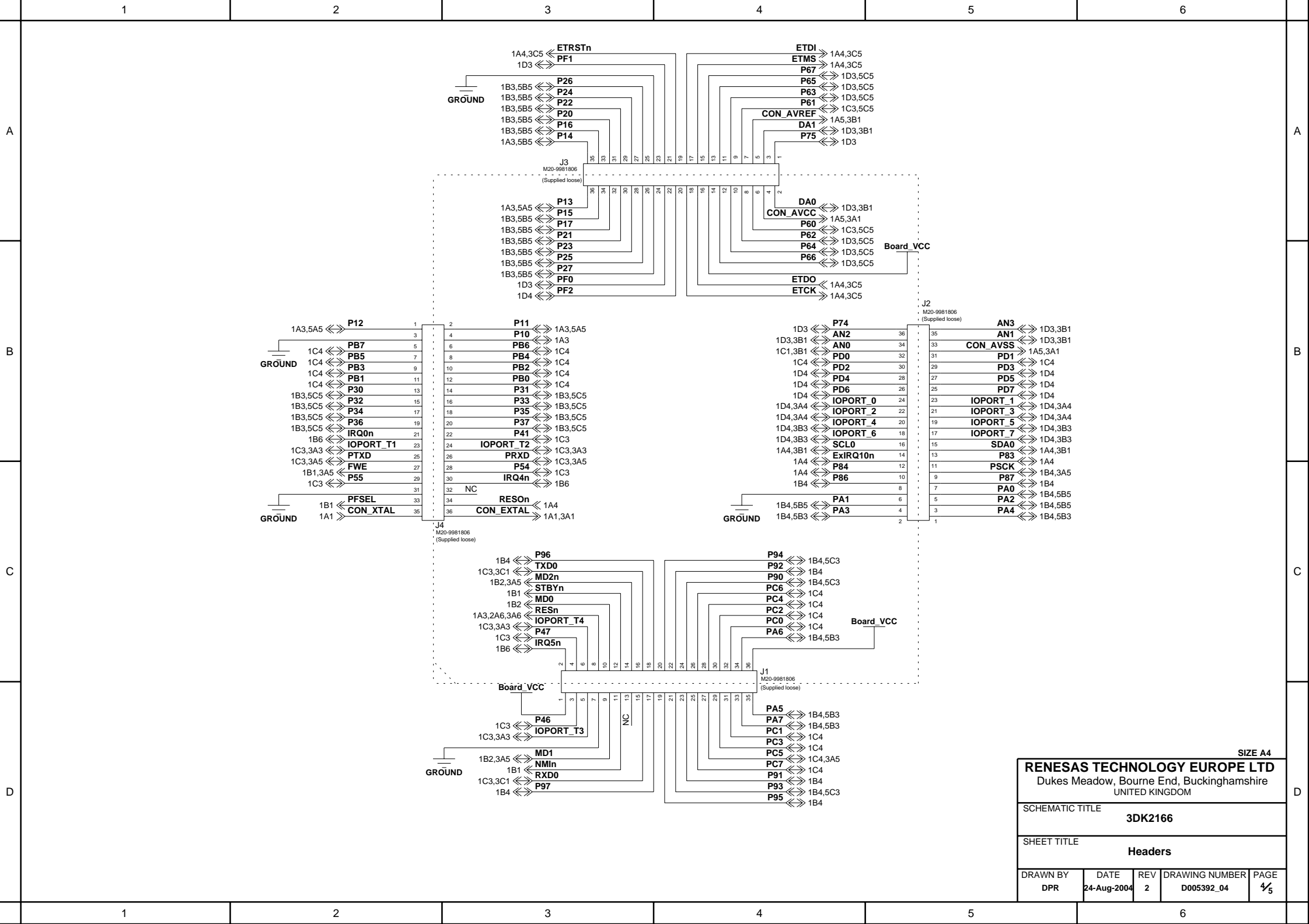


Debug (E10A)



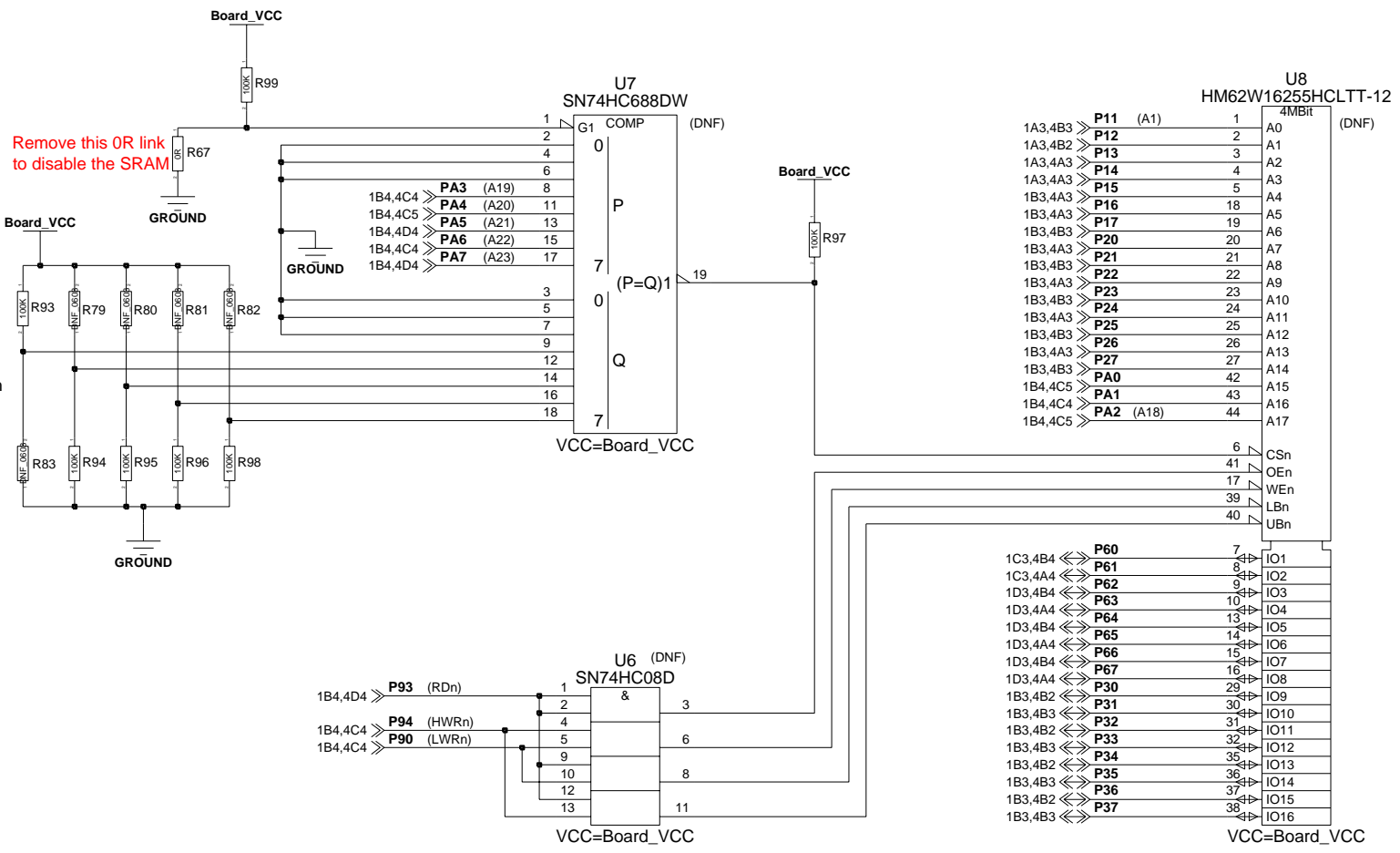
SIZE A4

RENESAS TECHNOLOGY EUROPE LTD				
Dukes Meadow, Bourne End, Buckinghamshire UNITED KINGDOM				
SCHEMATIC TITLE				
3DK2166				
SHEET TITLE				
Generic & FLASH connector, LEDs & Serial Port				
DRAWN BY	DATE	REV	DRAWING NUMBER	PAGE
DPR	24-Aug-2004	2	D005392_04	3/5



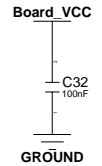
SIZE A4

RENESAS TECHNOLOGY EUROPE LTD				
Dukes Meadow, Bourne End, Buckinghamshire UNITED KINGDOM				
SCHEMATIC TITLE				
3DK2166				
SHEET TITLE				
Headers				
DRAWN BY	DATE	REV	DRAWING NUMBER	PAGE
DPR	24-Aug-2004	2	D005392_04	4/5

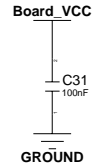


SRAM mapped by default between 080000h and 0FFFFh

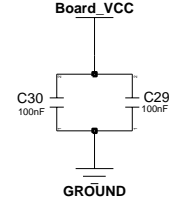
Address decoupling



AND logic decoupling



SRAM decoupling



SIZE A4

RENESAS TECHNOLOGY EUROPE LTD Dukes Meadow, Bourne End, Buckinghamshire UNITED KINGDOM				
SCHEMATIC TITLE 3DK2166				
SHEET TITLE SRAM and Glue Logic				
DRAWN BY DPR	DATE 24-Aug-2004	REV 2	DRAWING NUMBER D005392_04	PAGE 5/5